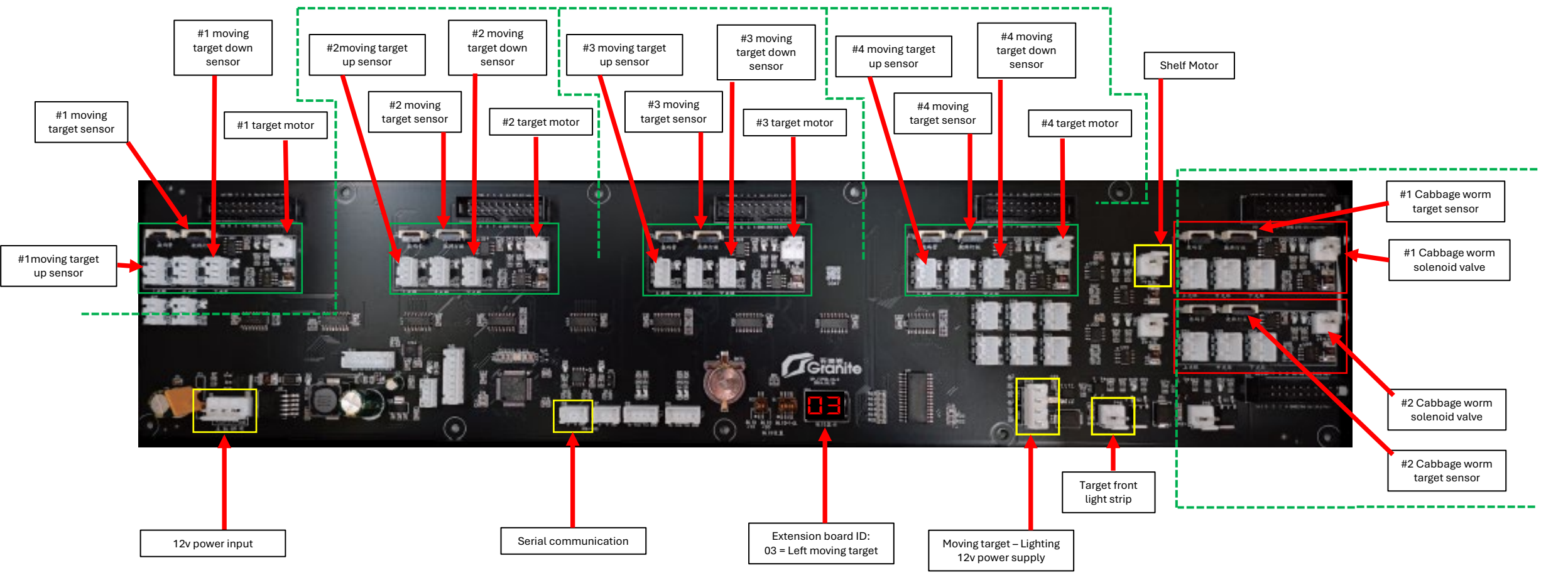
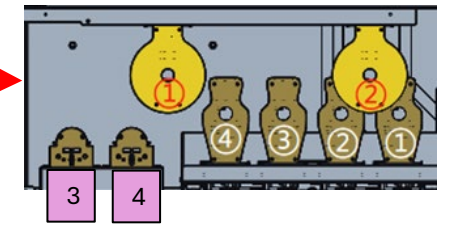
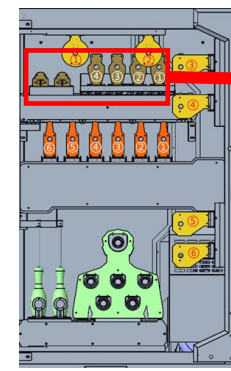


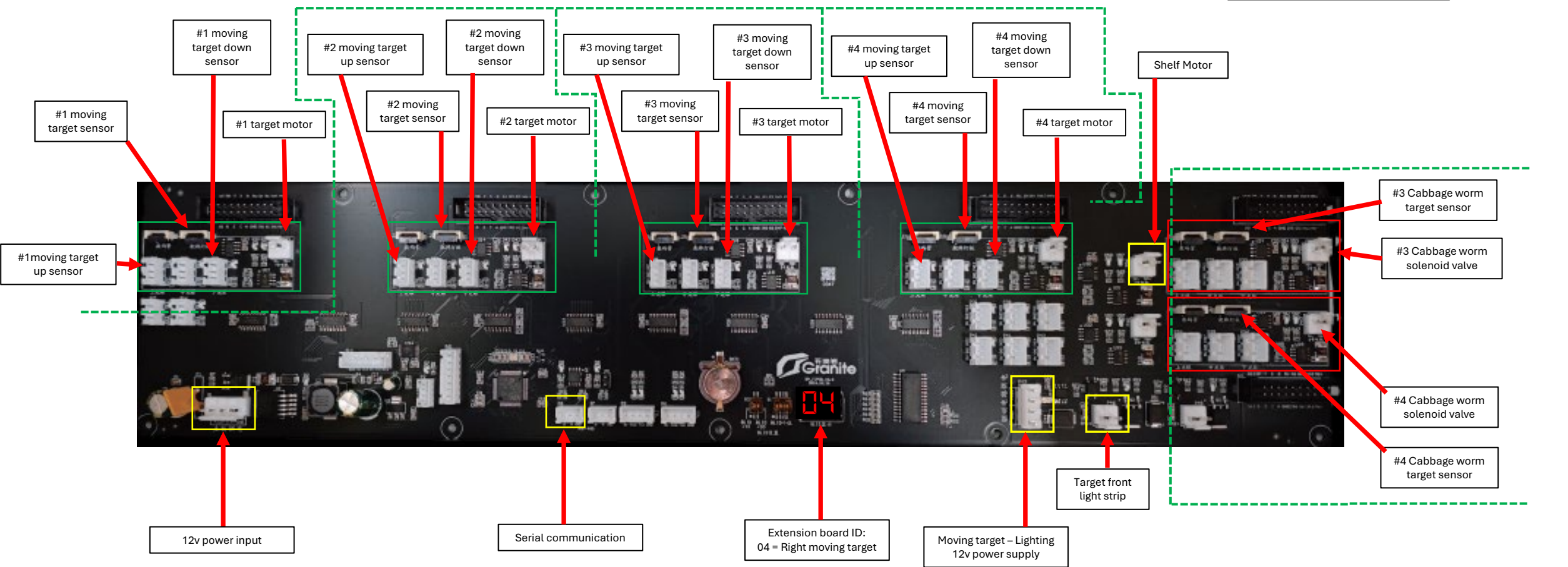
Moving targets 1-4
Cabbage worms 1 & 2
See purple targets



Moving Target - Left side



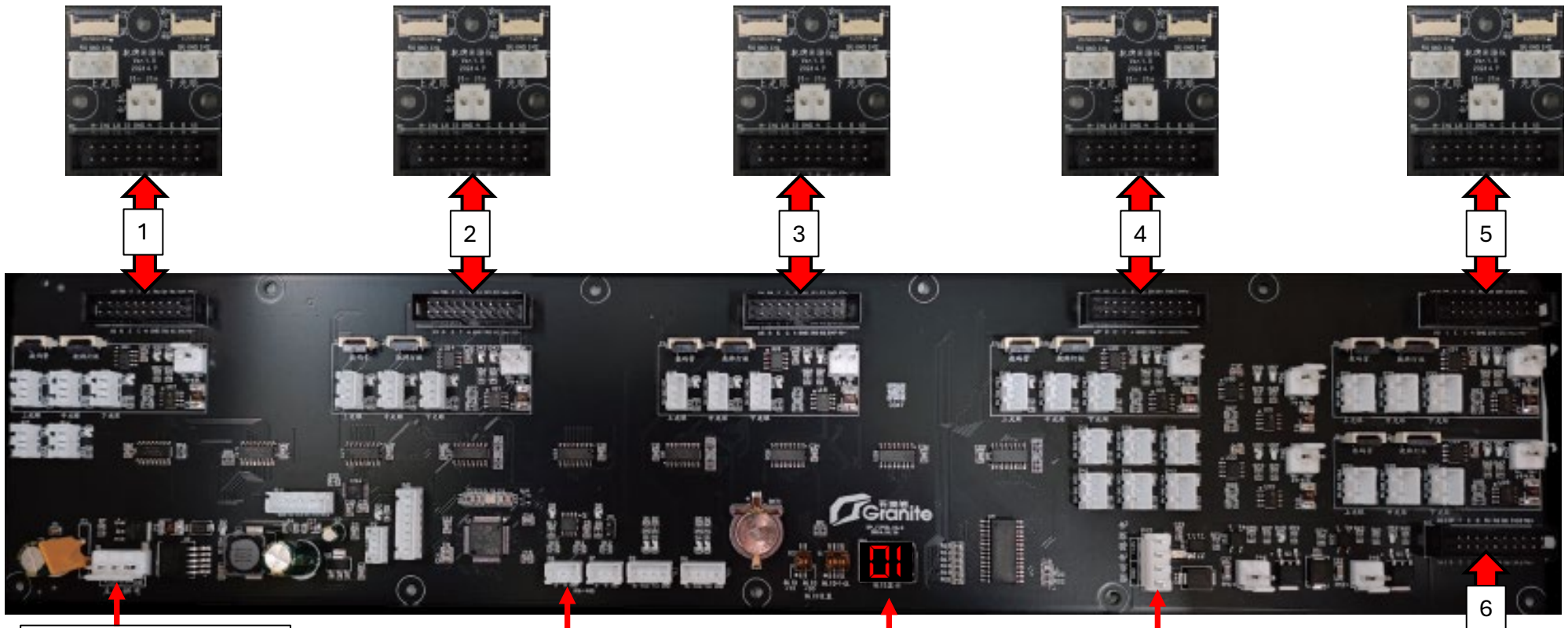
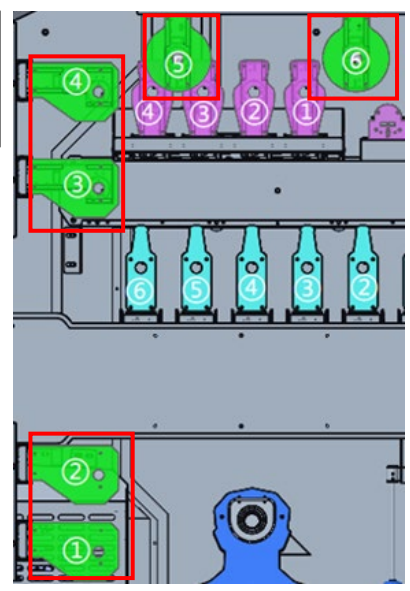
Moving targets 1-4
Cabbage worms 3 & 4
See purple targets



Moving Target - Right side

All side and upper targets connect to a sub-PCB that connect to the corresponding input on the main extension board.

Controls left side:
Side targets 1-4
Upper targets 5 & 6



Extension board 12v power supply

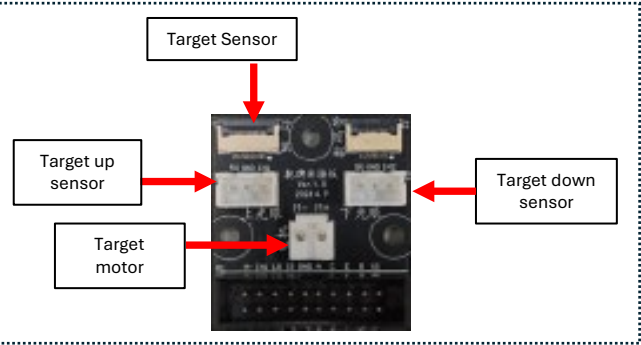
Serial communication

Extension board ID:
01 = Left side/upper target board

Side target - Lighting
12v power supply

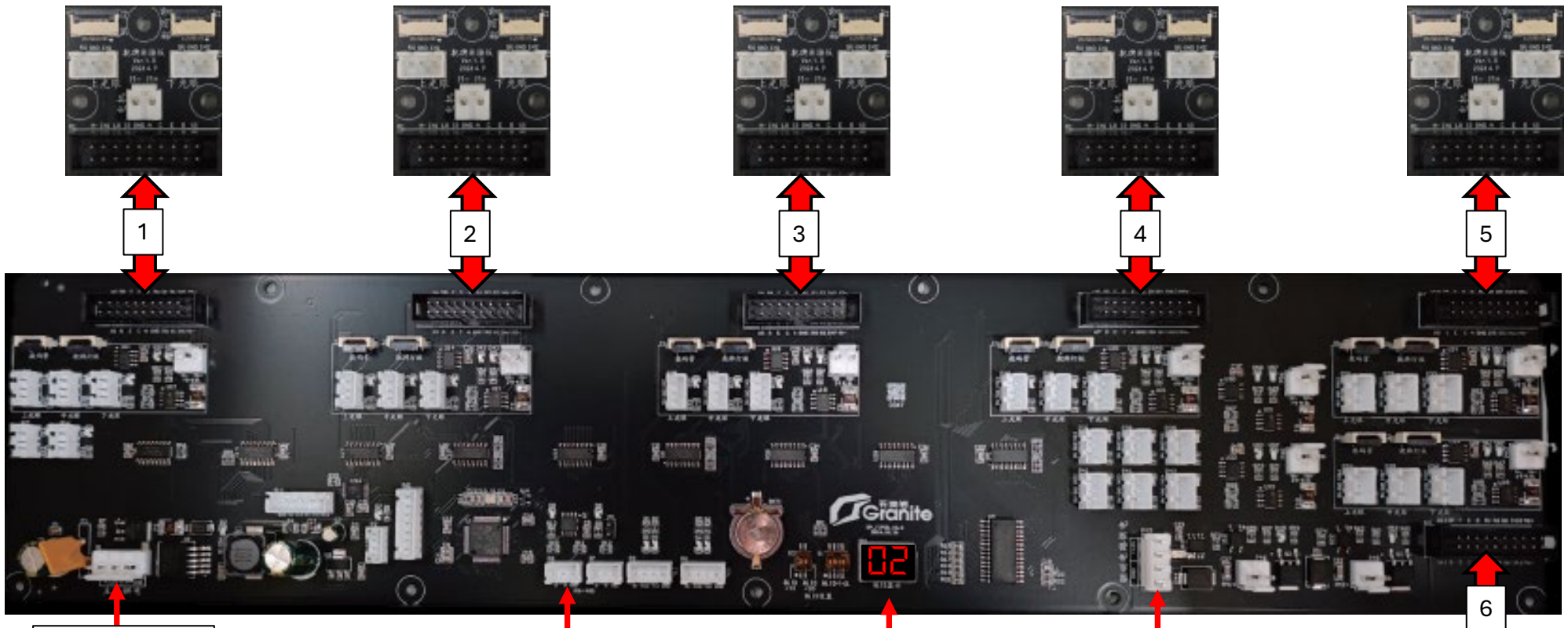
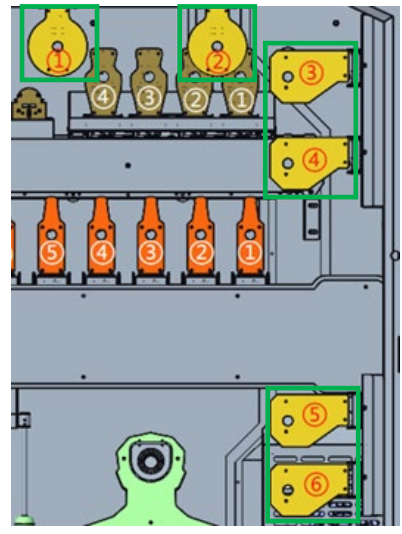


Left side / Upper extension Target board



All side and upper targets connect to a sub-PCB that connect to the corresponding input on the main extension board.

Controls right side:
Upper targets 1 & 2
Side targets 3-6

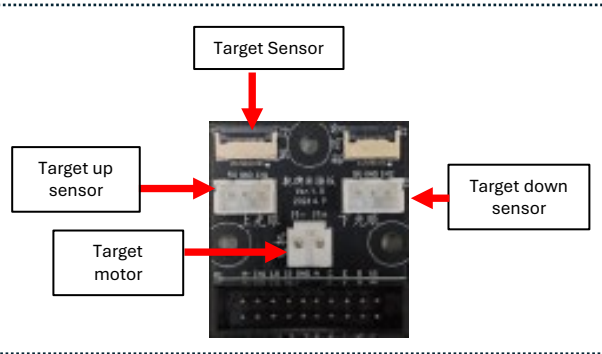


12v power input

Serial communication

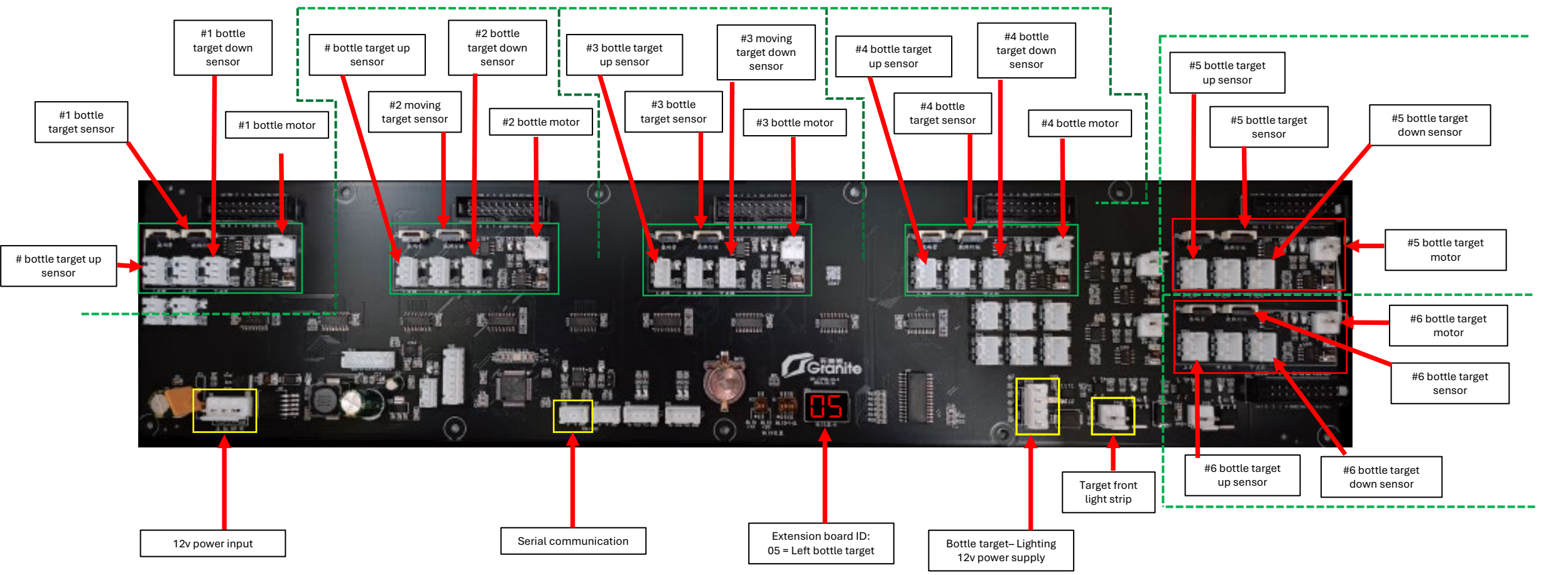
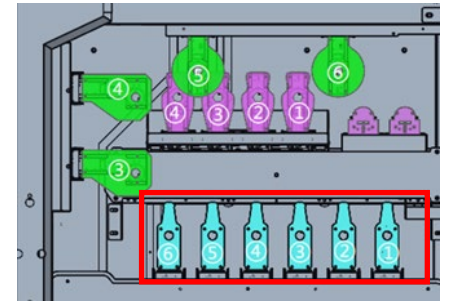
Extension board ID:
01 = Left side/upper target board

Side target – Lighting
12v power supply



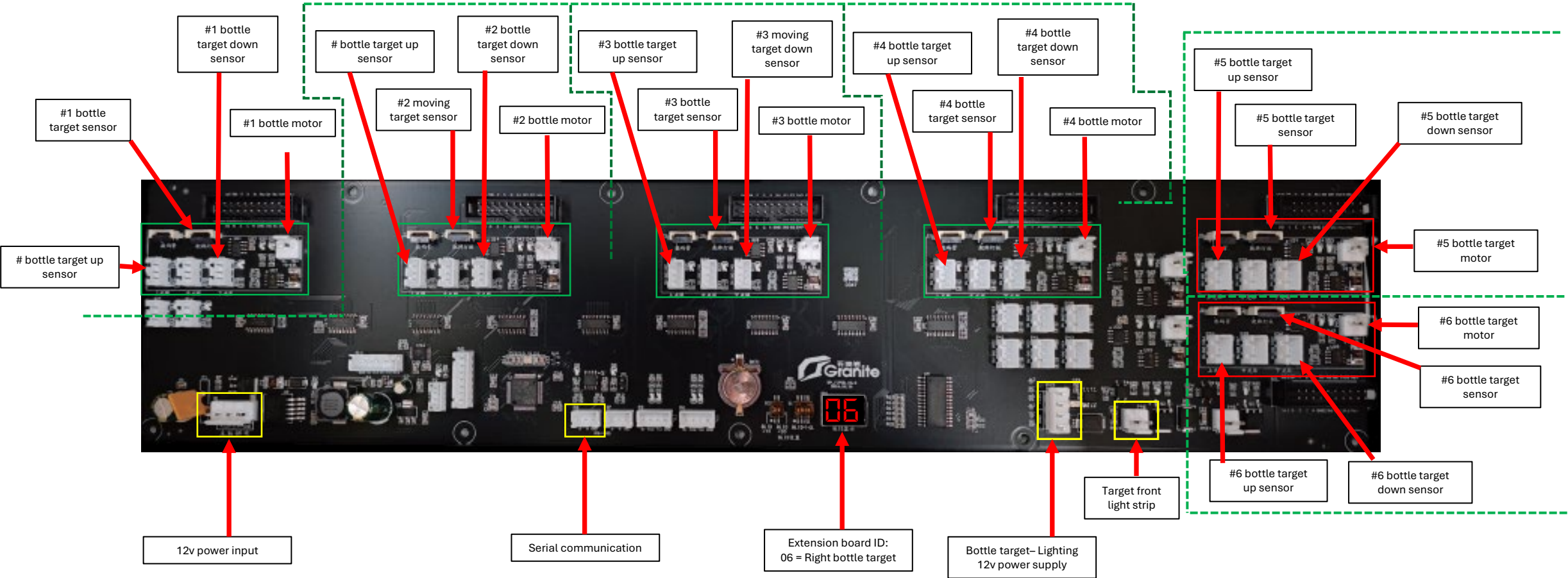
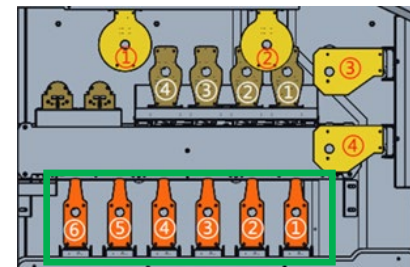
Right side / Upper Target extension board

Controls left side:
Bottle targets 1-6



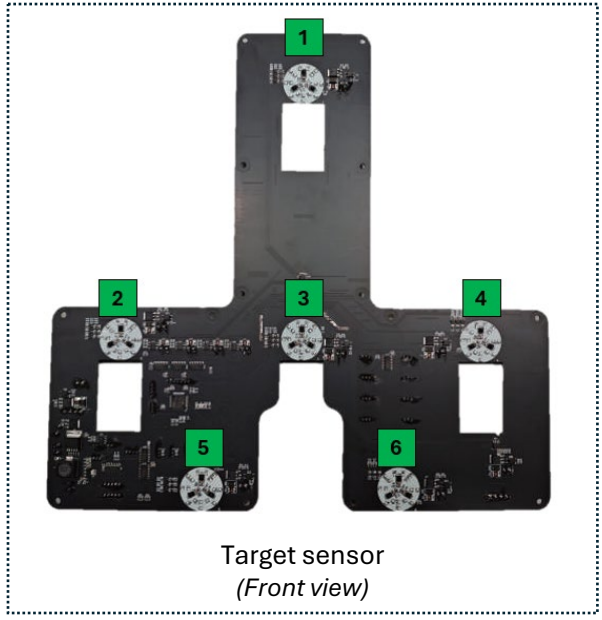
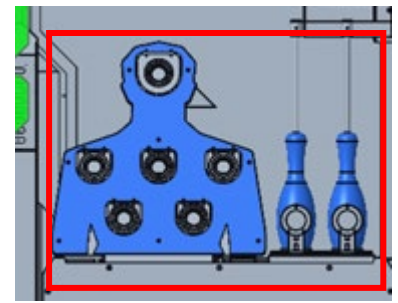
Left Bottle Target extension board

Controls right side:
Bottle targets 1-6

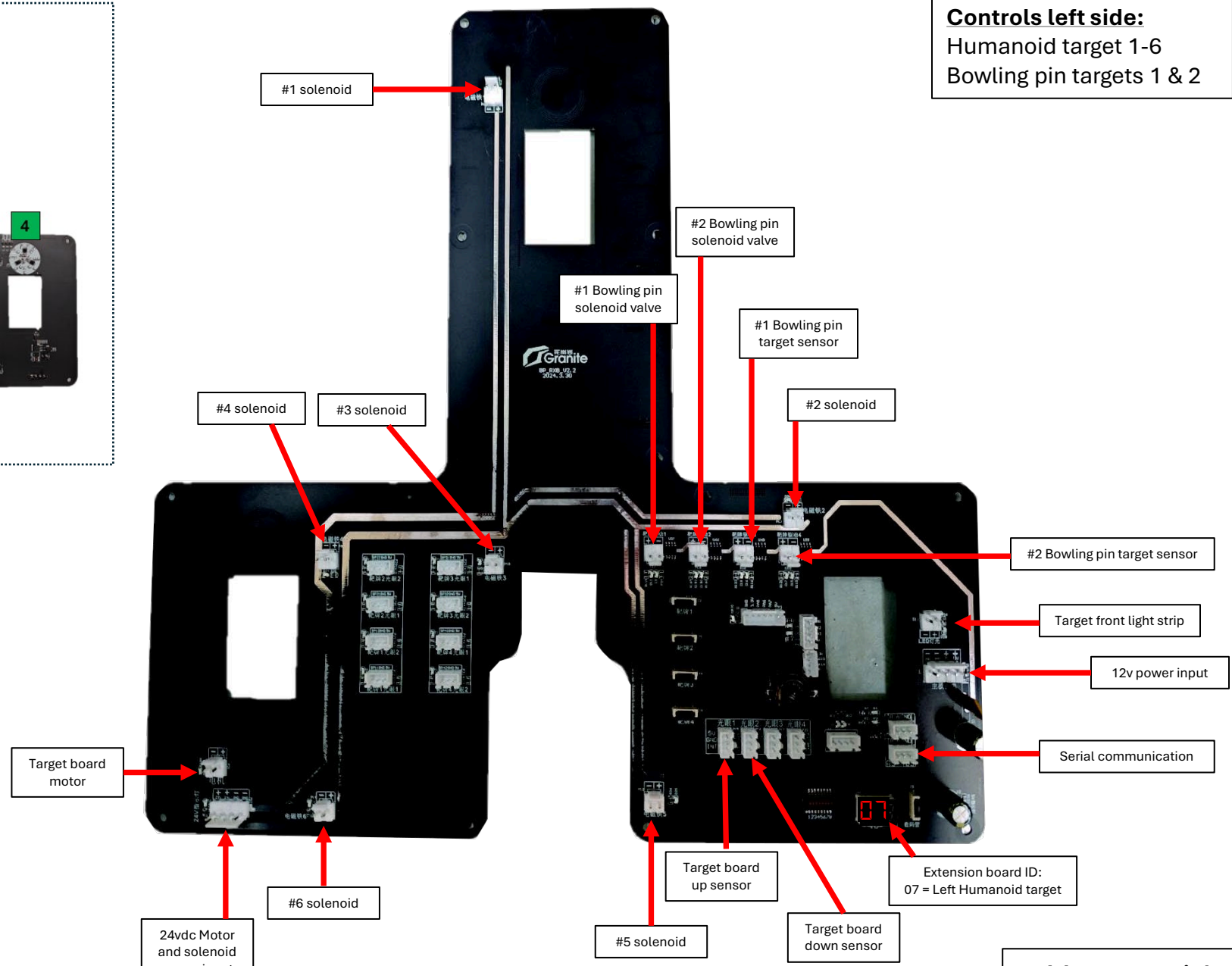


Right Bottle Target extension board

Controls left side:
 Humanoid target 1-6
 Bowling pin targets 1 & 2

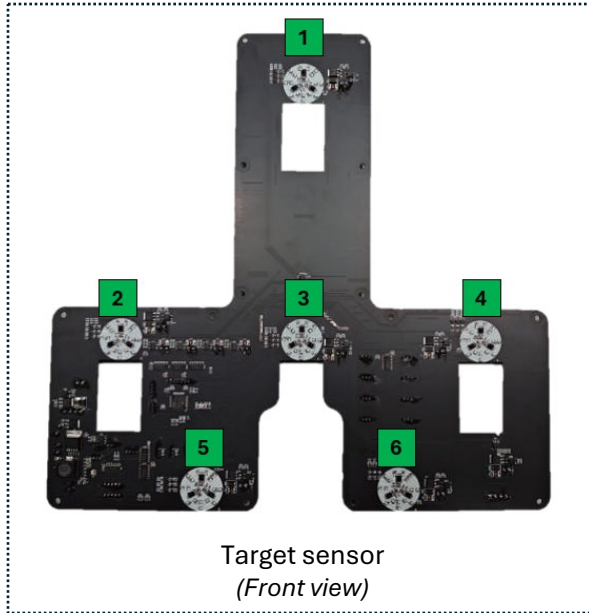
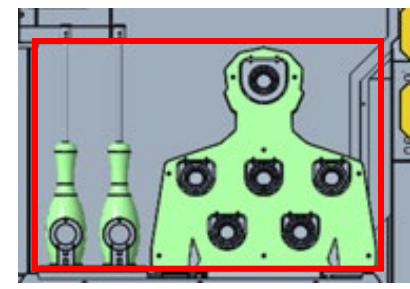


Target sensor
 (Front view)

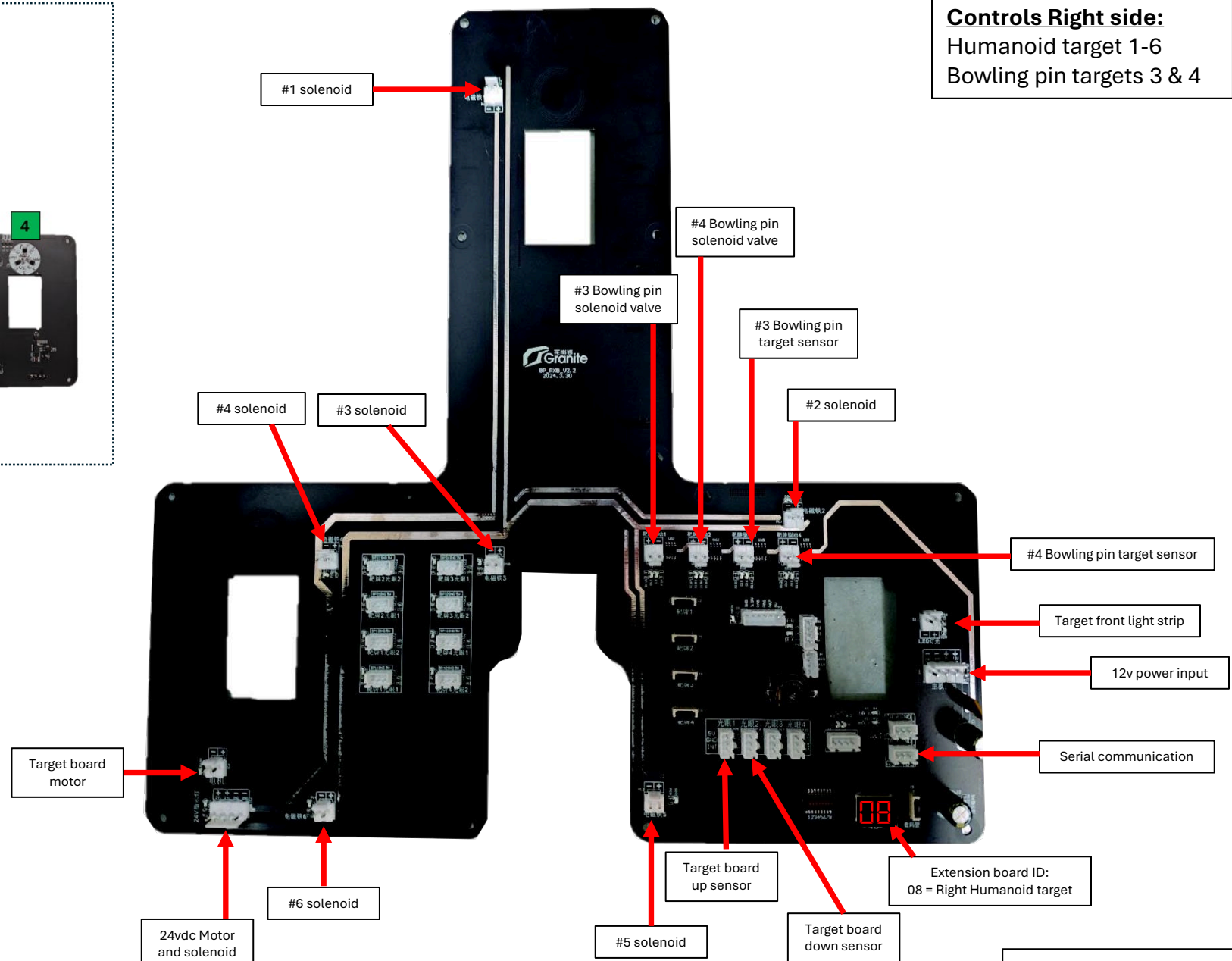


Humanoid extension board Left
 (Rear View)

Controls Right side:
 Humanoid target 1-6
 Bowling pin targets 3 & 4



Target sensor
 (Front view)



Humanoid extension board Right
 (Rear View)